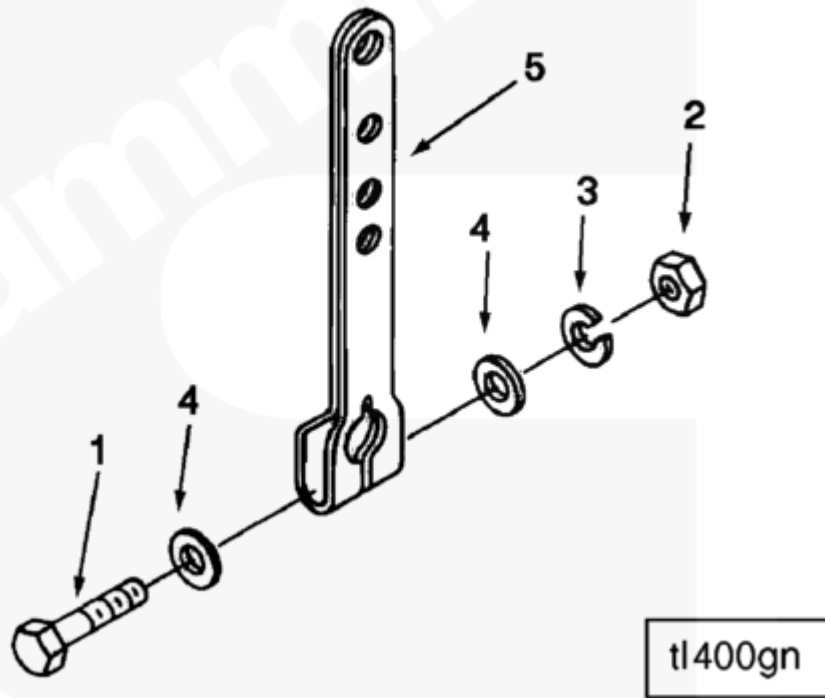




Parts Catalog - Option Detail

Electronic Parts Catalog - Option Detail				
Option	Group	Graphic	Film Card	Date
TL1048	05.02	tl400gn	FF	03-FEB-97
Engines	G855, G855 CM558, GTA855 CM558 (CM2358) G101, N14 CELECT, N14 CELECT PLUS, N14 MECHANICAL, NH/NT 855, QSM11 CM876 M101, QSM11 CM876 M102M, QSN14 CM876 N103, QSN14 CM876 N105, QSNT14 CM876 N102			

©Cummins Inc



SMALL | MEDIUM | LARGE

Cart	Ref No	Part Number	Part Description	Required	Remarks
View My Cart					
		TL1048	Throttle Lever		Four hole rigid type throttle...(More)
					lever with 8.6 MM (.34 inch)
					diameter holes. Five (5) inch
					lever. For use with VS

					governors. First used on
					Kawasaki loaders.
<input type="checkbox"/>	1	S 159 B	Hexagon Head Cap Screw	1	1/4 - 28 x 1 1/2 in.
<input type="checkbox"/>	2	S 251	Regular Hexagon Jam Nut	1	1/4 - 28 UNF
<input type="checkbox"/>	3	S 600	Lock Washer	1	1/4 in.
<input type="checkbox"/>	4	70704	Plain Washer	2	1/4 in.
<input type="checkbox"/>	5	3068977	Throttle Lever	1	

© 2019 Cummins Inc., Box 3005, Columbus, IN 47202-3005 U.S.A.
Terms of Use and Disclaimers | Recommended System Requirements
Need Assistance? Please click on the Contact Us button in the top right corner of any page.